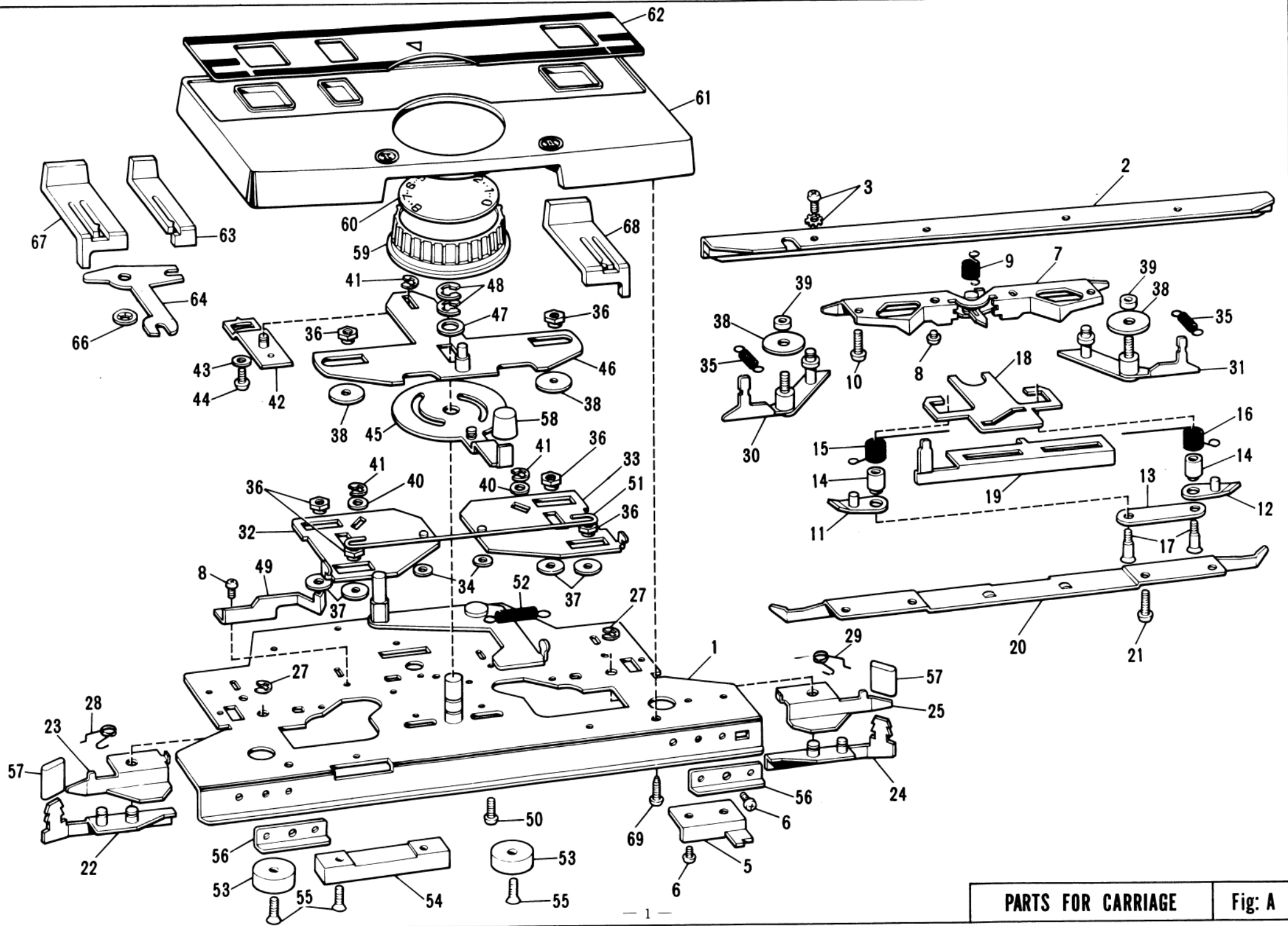


PARTS CATALOGUE FOR KR-830 KNITTING MACHINE

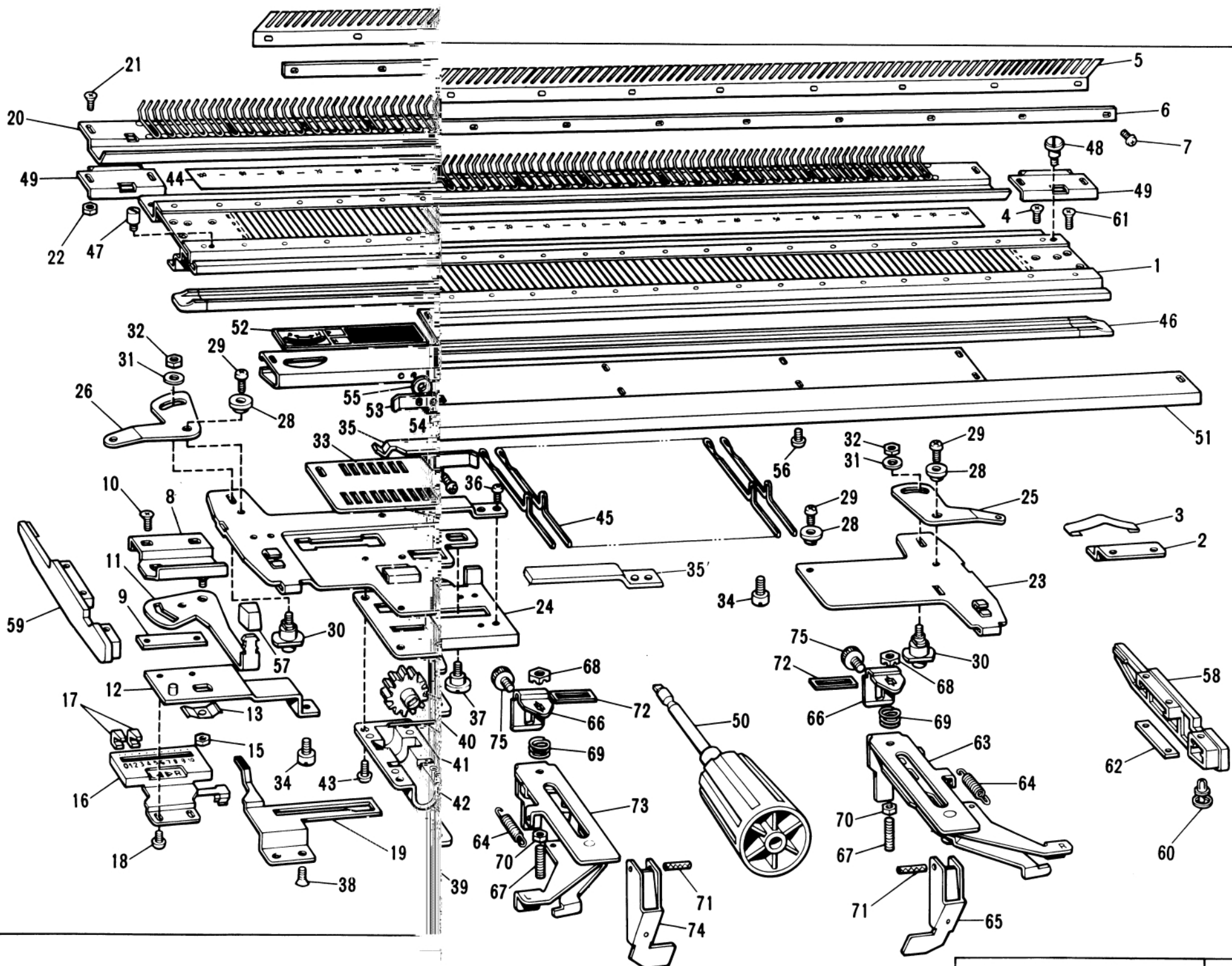
Parts marked with "O" are not interchangeable with other models



PARTS FOR CARRIAGE Fig: A

PARTS FOR CARRIAGE

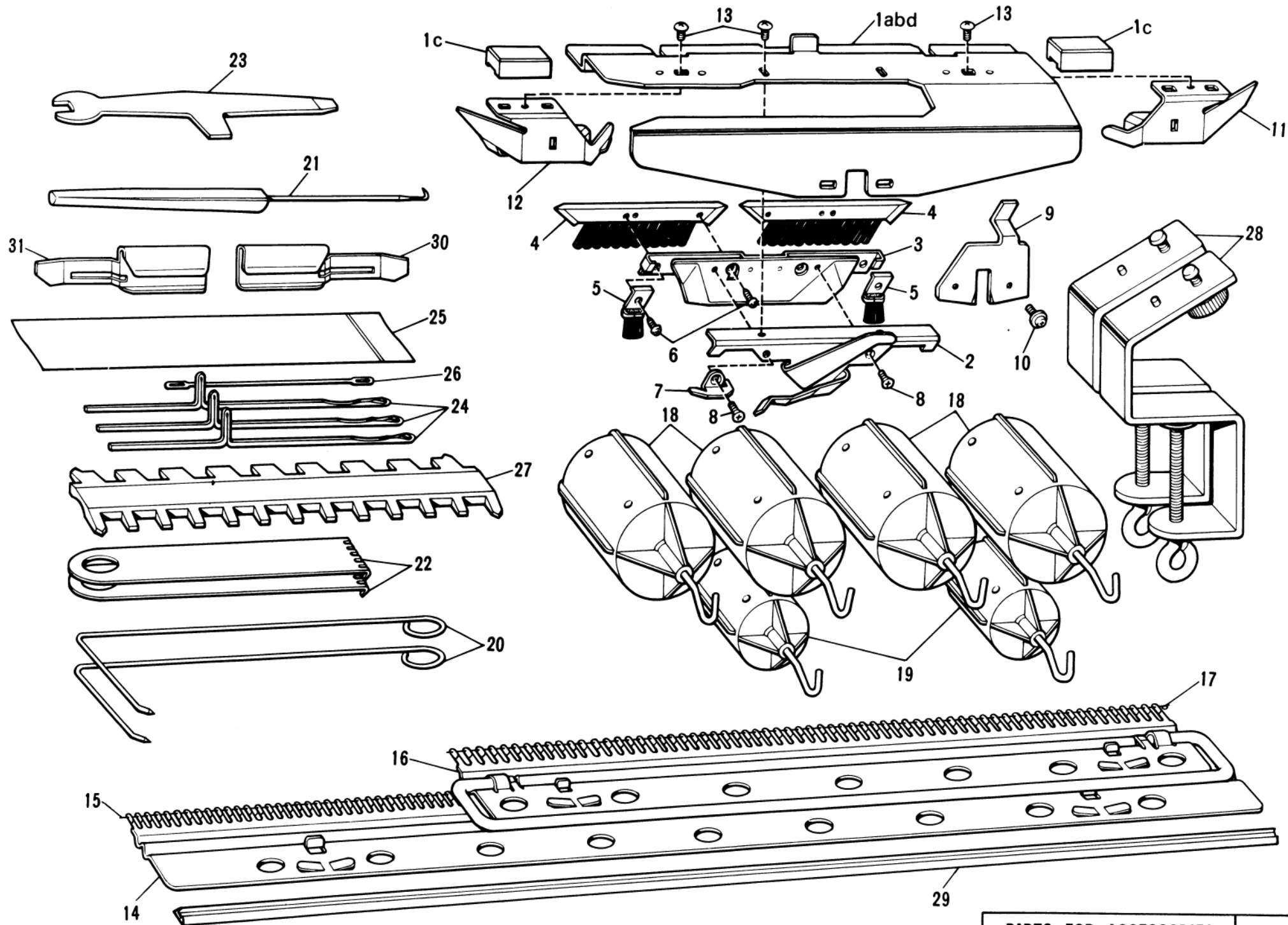
Ref. No.	Parts No.	Description	Revised	Q'ty	Ref. No.	Parts No.	Description	Revised	Q'ty
A 1-69	408973002	Carriage complete set		1	56	408834001	Carriage stopper		2
1	408695001	Carriage plate		1	57	408774001	Change cam knob		2
2	408702001	Front foot		1	58	408775001	Stitch cam slide lever knob		1
3	406397001	Screw with washer	409197001	4	59-60	406699003	Stitch dial assembly		1
5	408705001	Carriage plate stopper		4	59	406700002	Stitch dial		1
6	060669303	Screw		4	60	405575003	Stitch dial indication plate		1
7	408706001	Sub stitch assembly		1	61-67	408964001	Carriage cover knob assembly		1
8	060660303	Screw	060660303	3	61-62	408965001	Carriage cover assembly		1
9	408710001	Swing cam spring		1	61	408780001	Carriage cover		1
10	060660803	Screw	060660803	2	62	408966002	Carriage cover decoration plate		1
11	408711001	Tuck cam assembly,		1	63	408782001	Tuck cam knob		1
12	408714001	Tuck cam assembly,		1	64	408783001	Tuck cam changer lever		1
13	408716001	Tuck cam plate		1					-
14	408717001	Stud for tuck cam		2	66	408784001	Pushing nut		1
15	408718001	Tuck cam spring, right		1	67	408786001	Raising cam lever, left	408786002	1
16	408719001	Tuck cam spring, left		1	68	408785001	Raising cam lever, right	408785002	1
17	407299001	Screw		2	69	037351615	Tapping screw		4
18	408720001	Tuck cam change plate		1					
19	408721001	Tuck cam operating plate		1					
20	408722001	Sub raising cam		1					
21	060661603	Screw (Right)		1					
21	409163001	Screw (Left)		1					
22	408723001	Change cam assembly, plate		1					
23	408726001	Guide cam, right		1					
24	408727001	Change cam assembly, left		1					
25	408729001	Guide cam, left		1					
27	402650001	Snap ring	405523001	2					
28	408318001	Change cam spring, right		1					
29	408319001	Change cam spring, left		1					
30	408730001	Stitch cam assembly, right		1					
31	408735001	Stitch cam assembly, left		1					
32	408752001	Stitch cam slide plate, right	409094001	1					
33	408756001	Stitch cam slide plate, left	409097001	1					
34	408758001	Washer		2					
35	408759001	Raising cam spring		2					
36	408760001	Nut		6					
37	408761001	Washer		4					
38	408738001	Washer		4					
39	408739001	Collar		2					
40	403387001	Washer		2					
41	048030346	Snap ring		3					
42	408762001	Stitch adjuster plate assembly		1					
43	404684002	Washer		1					
44	060660503	Fastening screw	060660503	1					
45	408853001	Stitch cam slide lever		1					
46	408766001	Stitch cam guide plate assembly		1					
47	405516001	Washer		1					
48	048050346	Snap ring		2					
49	408769001	Stitch cam adjusting spring		1					
50	060661003	Screw	060661003	1					
51	408770001	Stitch cam plate spring		1					
52	408771001	Spring		1					
53	407285000	Carriage magnet 16		2					
54	408838000	Magnet		1					
55	408773001	Flat head screw 3.18 × 9		4					



PARTS FOR NEEDLE BED Fig: B

PARTS FOR NEEDLE BED

Ref. No.	Parts No.	Description	Revised	Q'ty	Ref. No.	Parts No.	Description	Revised	Q'ty
B- 1	408787001	Needle bed	409169001	1	57	403246003	Half pitch lever knob		1
2	404627001	Plastic bar guide		1	58	408190001	Side cover, right		1
3	403208001	Plastic bar guide spring		1	59	408189001	Side cover, left		1
4	004630704	Screw		2	60	408194001	Plastic rivet		1
5	403368001	Needle retaining spring		1	61	405663001	Screw		4
6	403763000	Needle retaining spring holder	407750000	1	62	408191001	Needle bed fastening plate		2
7	002630403	Screw		10	63-72	408797001	Bracket, right assembly		1
8	404935001	Notch adjusting plate assembly		1	63	408798001	Bracket, right		1
9	403214001	Notch adjusting plate presser plate		1	64	403267001	Lever spring		2
10	408788001	Flat head screw		2	65	408804001	Reinforcing plate assembly, R		1
11	404937001	Half pitch lever		1	66	408807001	Bracket stopper		2
12	407659001	Notch plate connecting rod		1	67	408808001	Screw		2
13	403220001	Spring plate		1	68	408809001	Nut		2
15	021680105	Nut		1	69	408924002	Spring		2
16	403221001	Racking movement indicator		1	70	408810001	Nut		2
17	403228001	Pattern range peg	403228002	2	71	047201443	Spring pin		2
18	406295001	Screw		2	72	408833001	Bracket spacer		2
19	407661001	Racking movement indicator line		1	64 & 66-74	408811001	Bracket, left assembly		1
20	408791001	Needle bed comb assembly		1	73	408812001	Bracket, left		1
21	004630704	Screw		14	74	408816001	Reinforcing plate assembly, L		1
22	405077001	Nut		14	75	408777001	Thumb screw		2
23, 25 & 28	403233001	Slide plate, assembly right	410651001	1					
24, 26 & 28	407663001	Slide plate, assembly left	410652001	1					
25	407664001	Height adjuster plate, right		1					
26	407665001	Height adjuster plate, left		1					
28	403236001	Hinge collar	410076001	4					
29	405664001	Screw		4					
30	403237001	Slide plate guide stud		2					
31	402447003	Washer		2					
32	408793001	Nut		2					
33	407810001	Notch plate		1					
34	407677001	Screw		2					
35	407669001	Notch plate spring		1					
35'	409160001	Notch plate spring upper plate		1					
36	060660603	Screw		2					
37	407670001	Screw		1					
38	004660504	Screw		2					
39	407671000	Gear cover		1					
40	407672001	Gear holding plate		1					
41	407673001	Gear		1					
42	407674001	Grip spring		1					
43	000660603	Screw	060660603	4					
44	408794001	Needle position indicator		1					
45	404648001	Purl needle		200					
46	404649002	Plastic bar		1					
47	408796001	Screw		1					
48	408795001	Stud screw		1					
49	408792001	Spacer		2					
50	407675001	Grip assembly	407675002	1					
51	408818001	Needle bed rear cover	408818002	1					
52	408968001	Half pith lever indicator plate		1					
53	409016001	Yarn holder		1					
54	037270814	Screw		1					
55	403226001	Washer		1					
56	408305001	Screw	408307001	8					



PARTS FOR ACCESSORIES

Ref. No.	Parts No.	Description	Revised	Q'ty	Ref. No.	Parts No.	Description	Revised	Q'ty
C 1-13	408840001	Connecting arm assembly		1					
1-a-d	408835001	Connecting arm		1					
1-c	406011000	Magnet for L Carriage		2					
2	408841000	Yarn feeder		1					
3	408843001	Latch Presser plate		1					
4	408839001	Brush	408839002	2					
5	408842001	Brush	408842002	2					
6	037280513	Tapping screw for C4 Brush		2					
6	409099001	Tapping screw for C5 Brush		2					
7	408846000	Yarn guide plate		1					
8	004639314	Flat head screw		2					
9	408847001	Connecting adjuster plate		1					
10	408454001	Screw		2					
11	409001001	Magnet box assembly, right		1					
12	409002001	Magnet box assembly, left		1					
13	408304001	Fastening screw		4					
14	403278006	Cast-on plate, long		1					
15	403279001	Wire, long		1					
16	408822001	Cast-on plate, short	410766001	1					
17	408825001	Cast-on plate wire, short	410769001	1					
18	408014001	Large weight		4					
19	408015001	Small weight		2					
20	403285001	Weight hanger		2					
21	403286001	Work hook	403286002	1					
22	403313001	Claw weight hanger		2					
23	408826001	Adjusting tool		1					
24	404648001	Purl needle		3					
25	407483000	Spare needle case		1					
26	486101001	Double eyelet transfer needle		1					
27	408827001	1/1 x 2/2 needle pusher	408827002	1					
28	407552001	Table clamp		2					
29	408828000	Fine knitting bar	409114001	1					
30	408829001	End stitch presser R		1					
31	408855001	End stitch presser L		1					